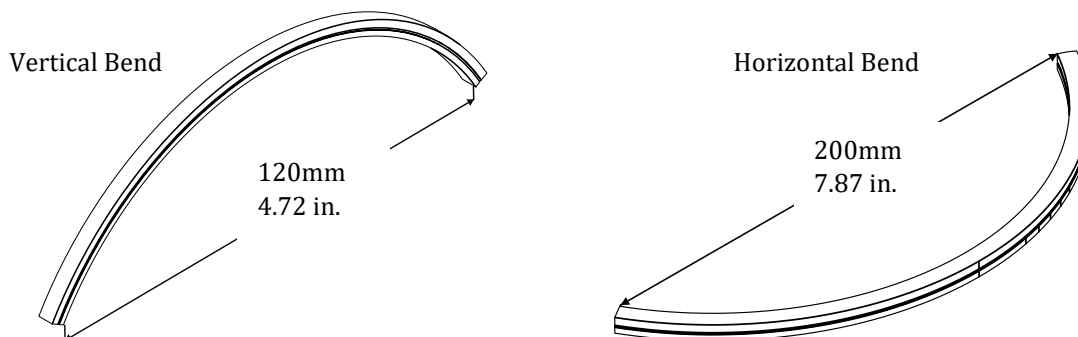


# Trace Mini Duo Installation Instructions



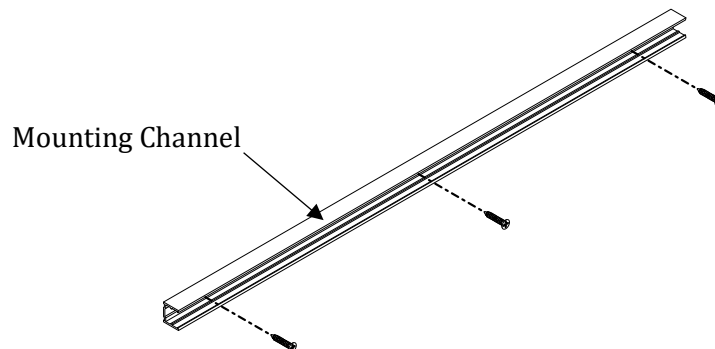
## Warnings and Safety

- Please verify the contents of the package!
- Please read instructions before starting the installation.
- Make sure the power is off before installing or modifying the system.
- Call Tivoli LLC tech support with any questions.
- This product is designed to work with listed Class 2, 24V DC transformers only. Use of any other power source will cause damage, shorten the life of the fixture, and will void the warranty.
- Consult any local and national codes for installation.
- Follow basic safety precautions when dealing with any luminaire application to reduce the risk of fire, electrical shock, and/or personal injuries. This lighting system should be installed by a certified professional.
  
- **Do not** use this product for other than its intended use.
- **Do not** install this lighting system where the exposed bare contacts can be shorted or contact any conductive material to reduce the risk of fire and burns.
- **Do not** use any luminaire if damaged, such as a broken globe, loose connections, or frayed wire insulation. Inspect periodically.
- **Do not** secure any luminaire with staples, nails or like means that might damage the wire insulation.
- **Do not** cover lamps with cloth, paper, or any material that is not part of the product.
  
- A two-person team is recommended for installation.
- For outdoor applications, a mounting channel is recommended.
- For layouts with bends and arcs, a notched channel is recommended.
- **Do not** bend Trace more than the minimum diameter.



## Mounting Channel Installation

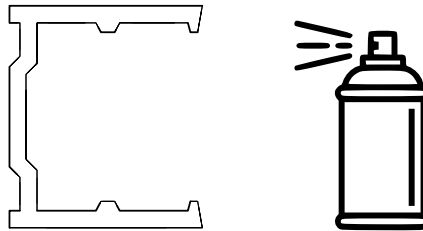
1. Position the channel to the desired location and attach the channel using screws every 18 to 24 inches.



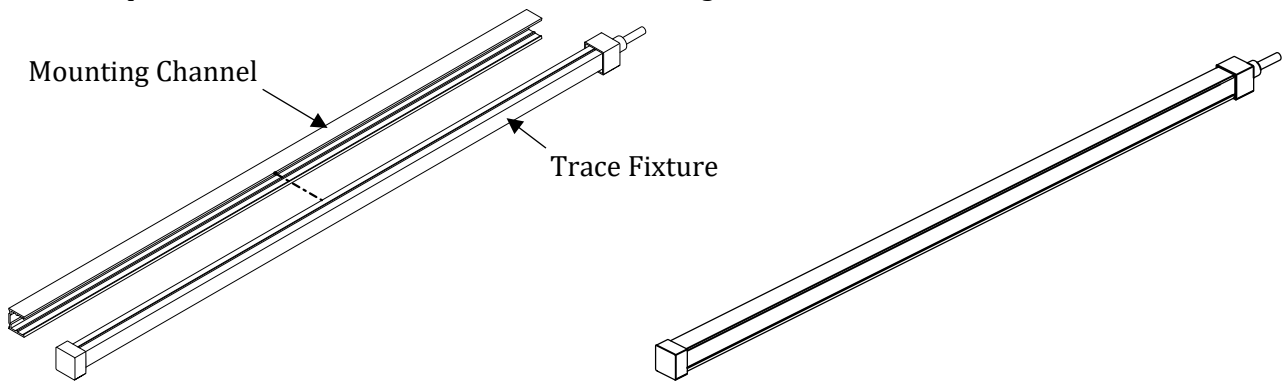
# Trace Mini Duo Installation Instructions



2. Use a dry spray lubricant on the inside surface of the mounting channel to ensure the Trace fixture fits into the channel without causing damage.



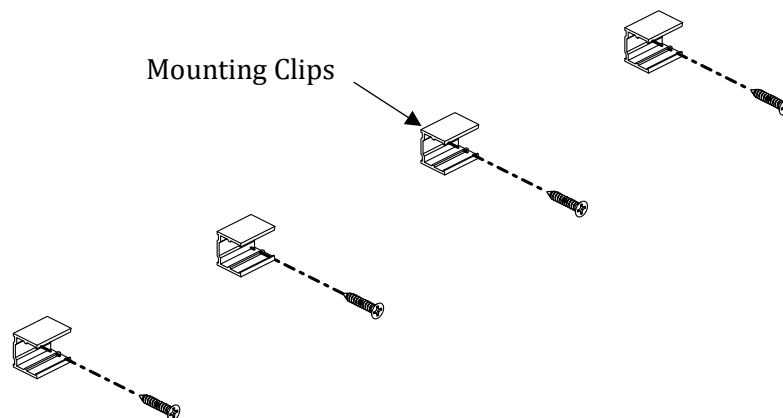
3. Apply silicone adhesive to the inside bottom of the channel. Then, insert the Trace fixture (starting from the power side) into the channel and carefully press along the length of the fixture. The connectors and end caps do not fit into the channel and will overhang on the outside ends.



4. Connect to 24V DC power supply.

## Mounting Clips Installation

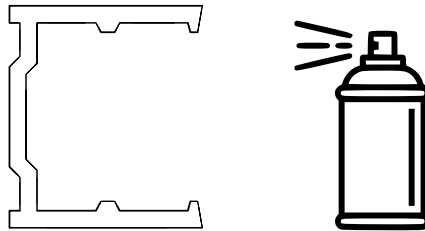
1. Determine the locations of each mounting clip based on the design layout and attach using screws.



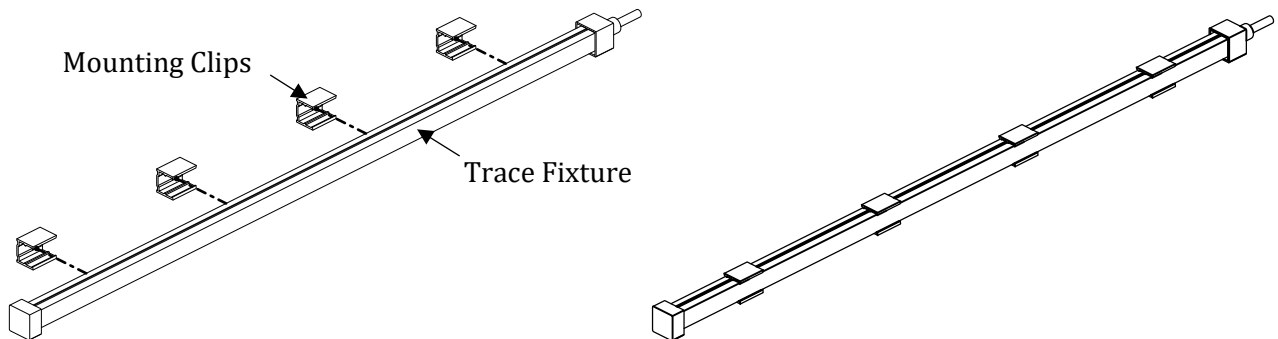
# Trace Mini Duo Installation Instructions



2. Use a dry spray lubricant and apply it to the inside surface of the mounting clip to ensure the Trace fixture fits into the mounting clip without causing damage.



3. Apply silicone adhesive to the inside bottom of each mounting clip and insert the Trace fixture (starting from the power side) into each mounting clip carefully until the fixture is fully secure.



4. Connect to 24V DC power supply.

## Wire Diagram

**NOTE:** There are many possible options for powering the light engine. The following wiring diagram is for reference only. See the specification sheet and related power supply specification sheets for more information and detailed wiring instructions.

